

YS2WPD20-R95-2R15-S

2-Way Wilkinson Power Divider, 20 W, 0.95-2.15 GHz, SMA

Key Features

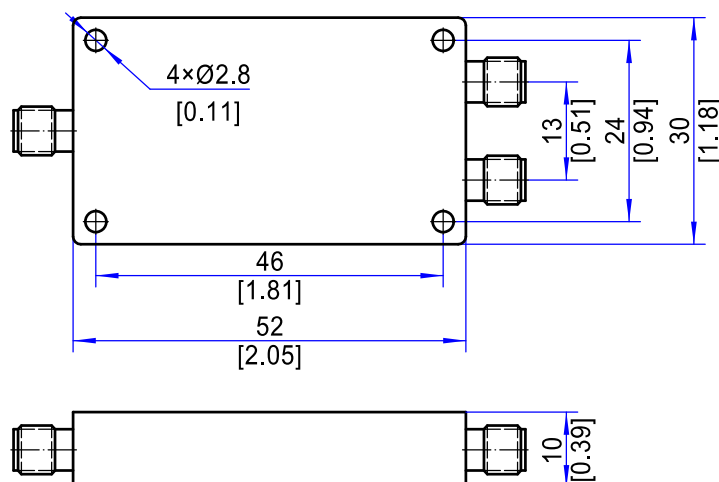
- 0.95-2.15 GHz Wideband Coverage
- Low Insertion Loss
- Excellent Amplitude & Phase Balance
- High Isolation (≥ 19.5 dB)
- 20 W Power Handling

Applications

- RF & Microwave Systems
- Test & Measurement
- Radar & EW Systems
- Communication Networks
- Signal Distribution

Electrical Specifications		
1	Frequency Range	0.95-2.15 GHz
2	Insertion Loss	≤ 0.4 dB
3	Input Port VSWR	$\leq 1.35:1$
4	Output Port VSWR	$\leq 1.3:1$
5	Isolation	≥ 19.5 dB
6	Amplitude Balance	$\leq \pm 0.2$ dB
7	Phase Balance	$\leq \pm 2^\circ$
8	Power Handling	≥ 20 W
9	Impedance	50 Ω
Environmental Specifications		
1	Operating Temperature	-55°C to +85°C
Mechanical Specifications		
1	Connectors	SMA Female
2	Surface Finishing	Silver-plated surface coated with protective liquid
3	Dimensions ¹	52×30×10 mm / [2.05×1.18×0.39 in]

Outline Drawing (Units: mm/[inch], Tolerance: ± 0.3 mm)



Note 1: Excluding Connectors