

# YS2WPD20-R7-6-S

2-Way Wilkinson Power Divider, 20 W, 0.698-6 GHz, SMA

## Key Features

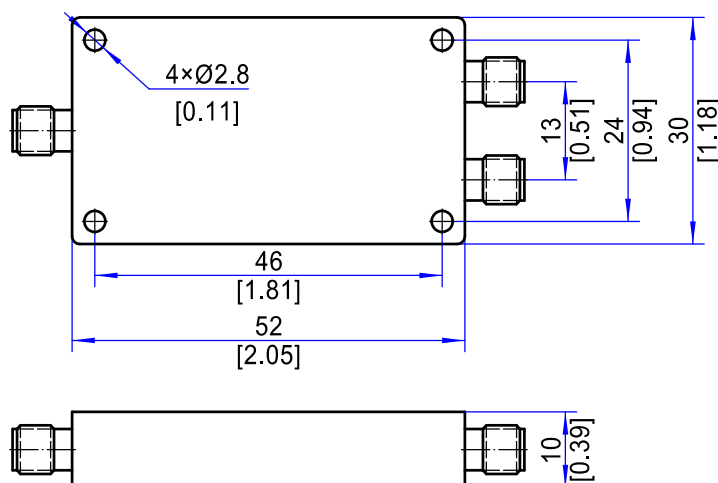
- 0.698-6 GHz Wideband Coverage
- Low Insertion Loss
- Excellent Amplitude & Phase Balance
- High Isolation ( $\geq 18$  dB)
- 20 W Power Handling

## Applications

- RF & Microwave Systems
- Test & Measurement
- Radar & EW Systems
- Communication Networks
- Signal Distribution

Electrical Specifications		
1	Frequency Range	0.698-6 GHz
2	Insertion Loss	$\leq 0.8$ dB
3	Input Port VSWR	$\leq 1.4:1$
4	Isolation	$\geq 18$ dB
5	Amplitude Balance	$\leq \pm 0.2$ dB
6	Phase Balance	$\leq \pm 5^\circ$
7	Power Handling	$\geq 20$ W
8	Impedance	50 $\Omega$
Environmental Specifications		
1	Operating Temperature	-55°C to +85°C
Mechanical Specifications		
1	Connectors	SMA Female
2	Surface Finishing	Silver-plated surface coated with protective liquid
3	Dimensions <sup>1</sup>	52×30×10 mm / [2.05×1.18×0.39 in]

## Outline Drawing (Units: mm/[inch], Tolerance: $\pm 0.3$ mm)



Note 1: Excluding Connectors