

YS2WPD20-8-12-S

2-Way Wilkinson Power Divider, 20 W, 8-12 GHz, SMA

Key Features

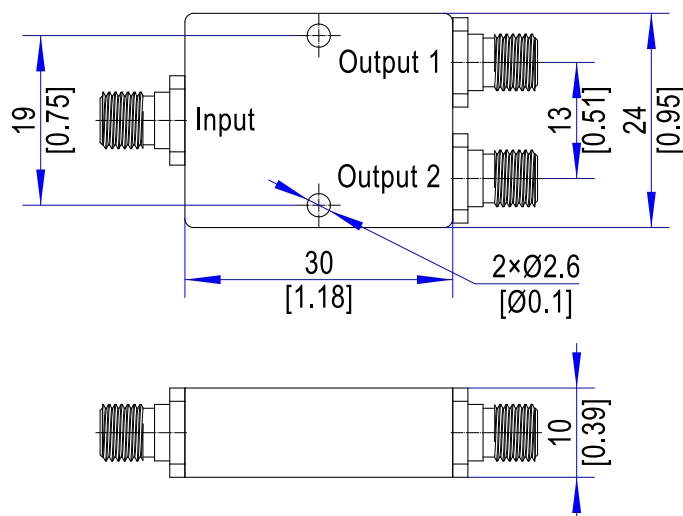
- 8-12 GHz broadband
- Low insertion loss
- High port isolation
- Good amplitude balance
- Compact SMA design

Applications

- RF test systems
- Signal distribution
- Communication systems
- Lab & R&D use
- Receiver testing

| Electrical Specifications | | |
|------------------------------|-------------------------|--|
| 1 | Frequency Range | 8-12 GHz |
| 2 | Insertion Loss | ≤0.6 dB (Excluding theoretical loss 3.01 dB) |
| 3 | Input Port VSWR | ≤1.3:1 |
| 4 | Output Port VSWR | ≤1.2:1 |
| 5 | Isolation | ≥18 dB |
| 6 | Amplitude Balance | ≤±0.2 dB |
| 7 | Phase Balance | ≤±3° |
| 8 | Power Handling | Forward Power: 20 W; Reverse Power: 1 W |
| 9 | Impedance | 50 Ω |
| Environmental Specifications | | |
| 1 | Operating Temperature | -45°C to +85°C |
| Mechanical Specifications | | |
| 1 | Connectors | SMA Female |
| 2 | Surface Finishing | Black Paint |
| 3 | Dimensions ¹ | 30×24×10 mm / [1.18×0.95×0.39 in] |

Outline Drawing (units: mm/[inch], Tolerance: ±0.3 mm)



Note 1: Excluding Connectors