

YS2WPD20-6-18-S

2-Way Wilkinson Power Divider, 20 W, 6-18 GHz, SMA

Key Features

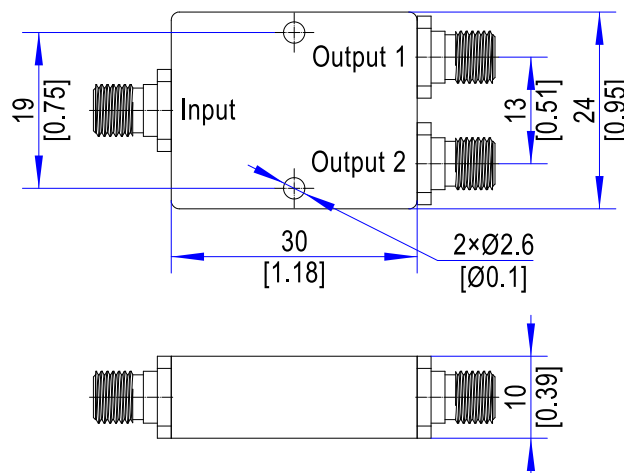
- 6-18 GHz broadband
- Low insertion loss
- High port isolation
- Good amplitude balance
- Compact SMA design

Applications

- RF test systems
- Signal distribution
- Communication systems
- Lab & R&D use
- Receiver testing

Electrical Specifications		
1	Frequency Range	6-18 GHz
2	Insertion Loss	≤0.8 dB (Excluding theoretical loss 3.01 dB)
3	Input Port VSWR	≤1.4:1
4	Output Port VSWR	≤1.3:1
5	Isolation	≥18 dB
6	Amplitude Balance	≤±0.3 dB
7	Phase Balance	≤±4°
8	Power Handling	Forward Power: 20 W; Reverse Power: 1 W
9	Impedance	50 Ω
Environmental Specifications		
1	Operating Temperature	-45°C to +85°C
Mechanical Specifications		
1	Connectors	SMA Female
2	Surface Finishing	Black Paint
3	Dimensions ¹	30×24×10 mm / [1.18×0.95×0.39 in]

Outline Drawing (Units: mm/[inch], Tolerance: ±0.3 mm)



Note 1: Excluding Connectors