

YS2WPD120-R7-6-S

2-Way Wilkinson Power Divider, 120 W, 0.7-6 GHz, SMA

Key Features

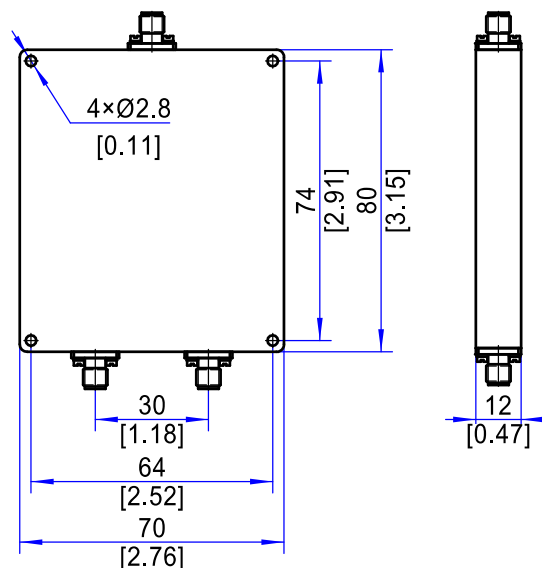
- 0.7-6 GHz Wideband Coverage
- Low Insertion Loss
- Excellent Amplitude & Phase Balance
- High Isolation (≥ 14 dB)
- 120 W Power Handling

Applications

- RF & Microwave Systems
- Test & Measurement
- Radar & EW Systems
- Communication Networks
- Signal Distribution

Electrical Specifications		
1	Frequency Range	0.7-6 GHz
2	Insertion Loss	≤ 0.9 dB
3	Input Port VSWR	$\leq 1.5:1$
4	Isolation	≥ 14 dB
5	Amplitude Balance	$\leq \pm 0.3$ dB
6	Phase Balance	$\leq \pm 5^\circ$
7	Power Handling	120 W(CW)
8	Impedance	50 Ω
Environmental Specifications		
1	Operating Temperature	-55°C to +85°C
Mechanical Specifications		
1	Connectors	SMA Female
2	Surface Finishing	Black Paint
3	Dimensions ¹	70×80×12 mm / [2.76×3.15×0.47 in]

Outline Drawing (Units: mm/[inch], Tolerance: ± 0.3 mm)



Note 1: Excluding Connectors