

## YS2WPD10-6R85-6R95-S

2-Way Wilkinson Power Divider, 10 W, 6.85-6.95 GHz, SMA

### Key Features

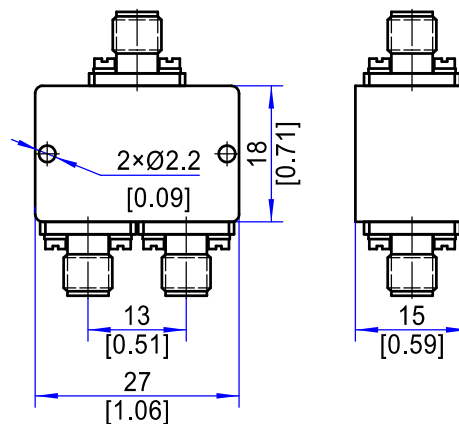
- 6.85-6.95 GHz Wideband Coverage
- Low Insertion Loss
- Excellent Amplitude & Phase Balance
- High Isolation ( $\geq 20$  dB)
- 10 W Power Handling

### Applications

- RF & Microwave Systems
- Test & Measurement
- Radar & EW Systems
- Communication Networks
- Signal Distribution

Electrical Specifications		
1	Frequency Range	6.85-6.95 GHz
2	Insertion Loss	$\leq 0.4$ dB
3	Input Port VSWR	$\leq 1.2:1$
4	Isolation	$\geq 20$ dB
5	Amplitude Balance	$\leq \pm 0.2$ dB
6	Phase Balance	$\leq \pm 2^\circ$
7	Power Handling	10 W(CW)
8	Impedance	50 $\Omega$
Environmental Specifications		
1	Operating Temperature	-55°C to +85°C
Mechanical Specifications		
1	Connectors	SMA Female
2	Surface Finishing	Cavity: Silver plated Cover: Natural conductive oxidation
3	Dimensions <sup>1</sup>	27×18×15 mm / [1.06×0.71×0.59 in]

**Outline Drawing** (Units: mm/[inch], Tolerance:  $\pm 0.3$  mm)



Note 1: Excluding Connectors